

# Transmission

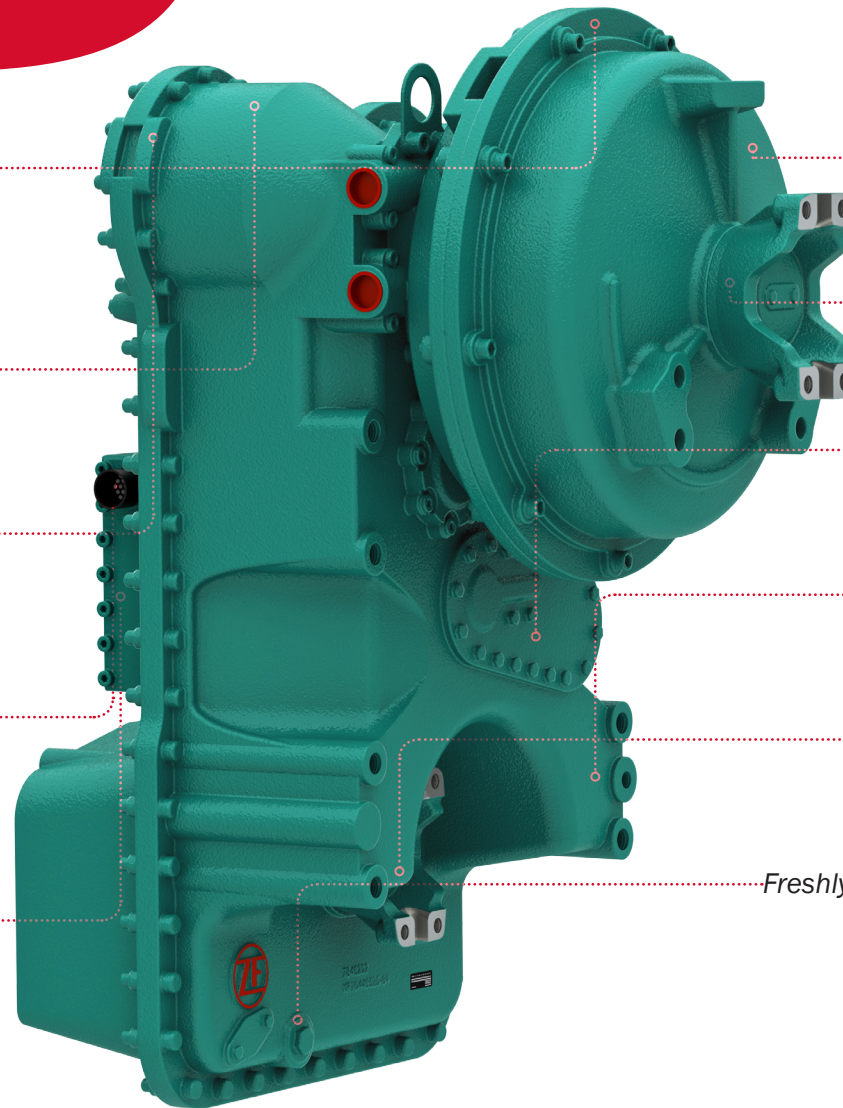
# ZF

130 / 160 / 190 / 210



INFO@CENTRANZ.COM

1-816-650-3161



New Charging Pump

Update internal Tubes to O-Ring style replaceable Tubes

All Speed Transmitters (Sensors)

New internal Wire Harness

All Pressure Regulators (Shift Solenoids in the Valve Body)

Rebuilt Torque Converter

New Flex Plates (if applicable)

All Friction and Steels

All Bearings

All Seals and Gaskets

Freshly painted, crated and ready for shipment

## 100% Disassembly of the Transmission

All Transmissions are Dyno Tested and undergo a 5-Step Evaluation: 1) Check Pressures. 2) Check to ensure No Leaks. 3) Check to ensure No Excessive Noise. 4) Function of Solenoid Valves are Evaluated. 5) Function of all Sensors are Tested using the TEM-CO TestBox.

3,000 HOUR

WARRANTY

18 MONTH