

# Transmission

## ZF

260 / 310



INFO@CENTRANZ.COM

1-816-650-3161

New Control Valve (Valve Body) installed

All new Pressure Regulators (Shift Solenoids in the Valve Body)

New Internal Wire Harness installed

Rebuilt Charging Pump installed

Replaced with new OEM Hoses

All Speed Sensors are replaced with new OEM

Output Planetary rebuilt using new Roller Sets and Thrust Washers

All Frictions and Steels are replaced throughout the entire transmission

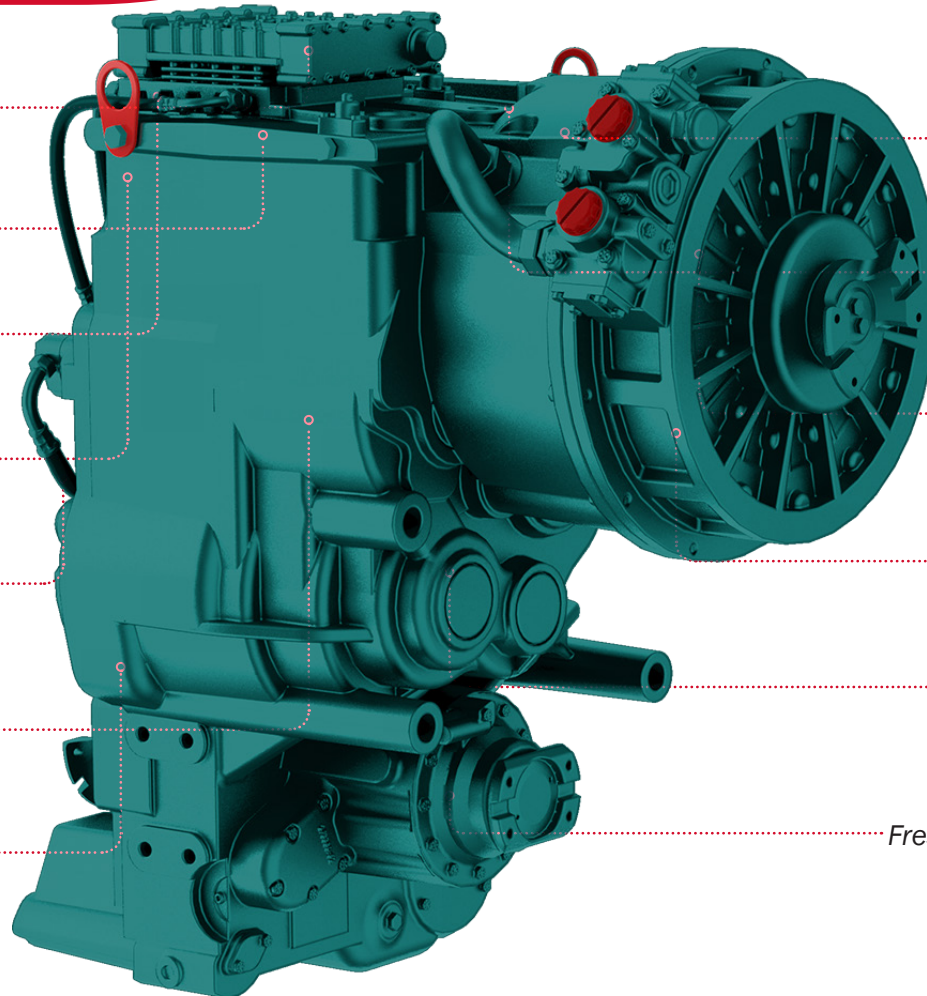
New complete Seal and Gasket Kit installed

Front Mount Bolt Hole enhancement for Retarder applications

Rebuilt Torque Converter is standard on all remans

All Bearings are replaced

Freshly painted, crated and ready for shipment



## 100% Disassembly of the Transmission

All Transmissions are Dyno Tested and undergo a 5-Step Evaluation: 1) Check Pressures. 2) Check to ensure No Leaks. 3) Check to ensure No Excessive Noise. 4) Function of Solenoid Valves are Evaluated. 5) Function of all Sensors are Tested using the TEM-CO TestBox.

Transmission's ECU (transmission computer) tested and updated.

Also included: New AEB Calibration Tool to calibrate the New Clutch Packs.

2,000 HOUR  
WARRANTY  
12 MONTH